



Entity PRO Ground Stand Installation kit
Installation instructions

GARO[®]

Art no:380284



About this manual

The purpose of this manual is to provide you with the necessary information to install the installation kit to the Entity PRO ground stands.

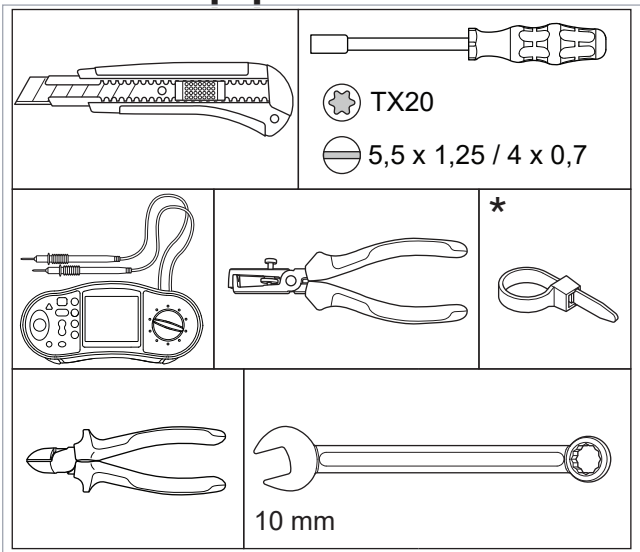
This document contains general descriptions which are verified to be accurate at the time of printing. However, because continuous improvement is a goal at GARO, we reserve the right to make product modifications at any time.

Product function description.

This installation kit makes the electrical installation easier and makes it possible to prepare the pole before installation on site.

Using the terminal block with 16 or 25mm² allows for convenient connection of the ground cable. The terminal is designed for up to 25mm² @100A Cu or Al cables.

Tools and equipment needed

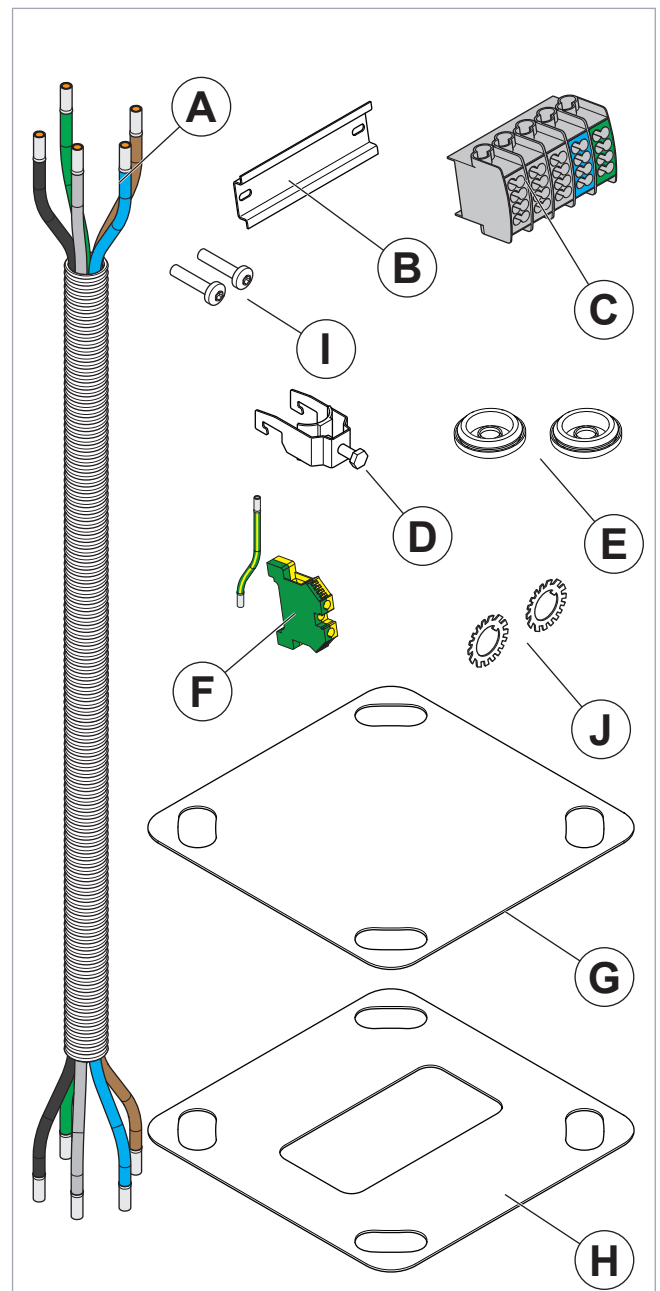


* If applicable

To install the Entity PRO charging station (CS)

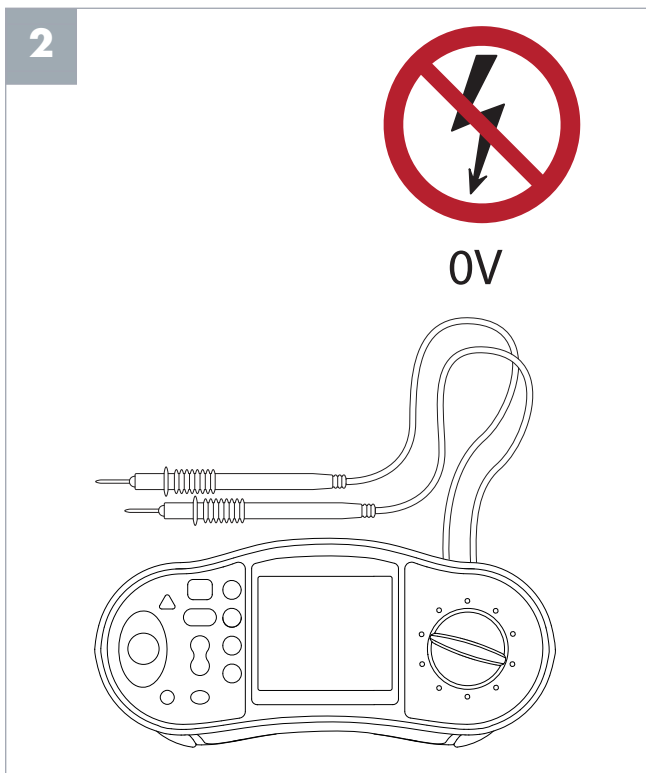
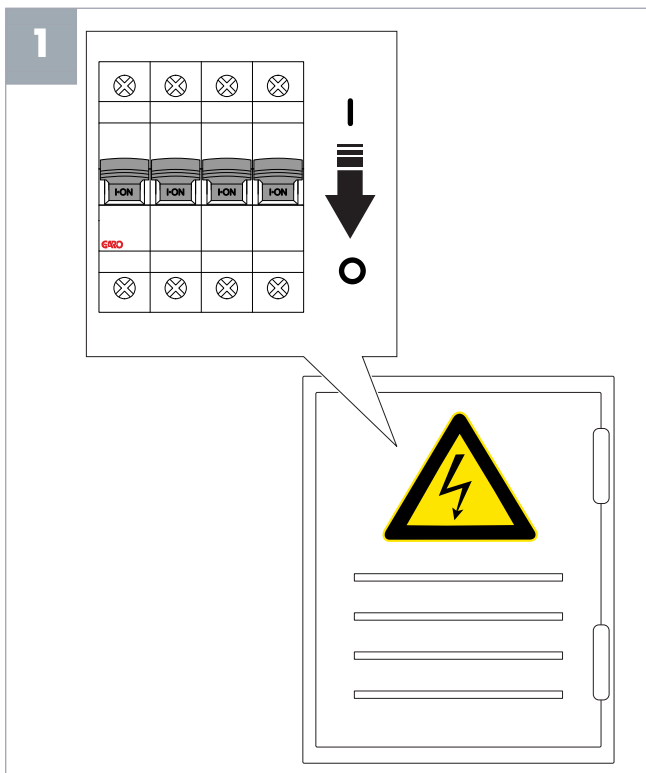
This manual does not contain instructions on how to install a Garo charging station. To install the Entity PRO charging station refer to the installation manual. All installation must be carried out by an authorized installer and comply with local country installation regulations. If any questions, please contact your local electrical authority.

What's in the box

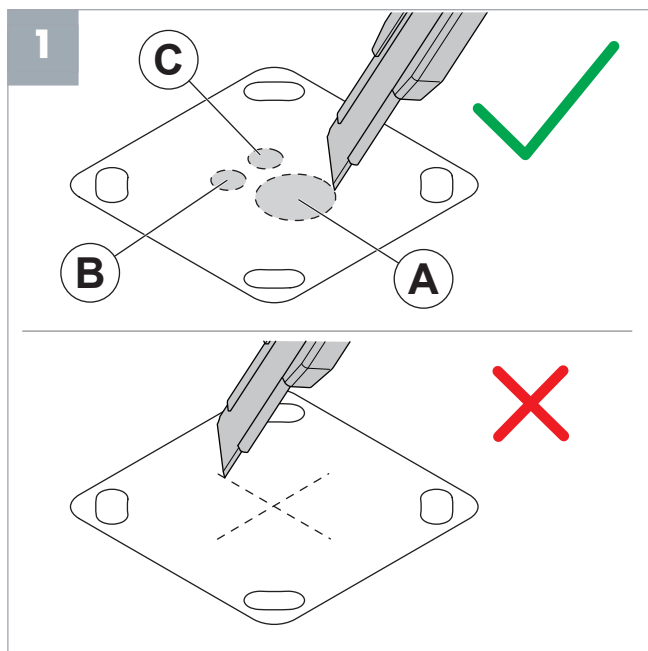


A	Hose with cables	F	PE terminal
B	DIN rail	G	Membrane
C	Terminal block	H	Plate
D	Cable anchor	I	Screws
E	Cable grommets	J	Lock washer

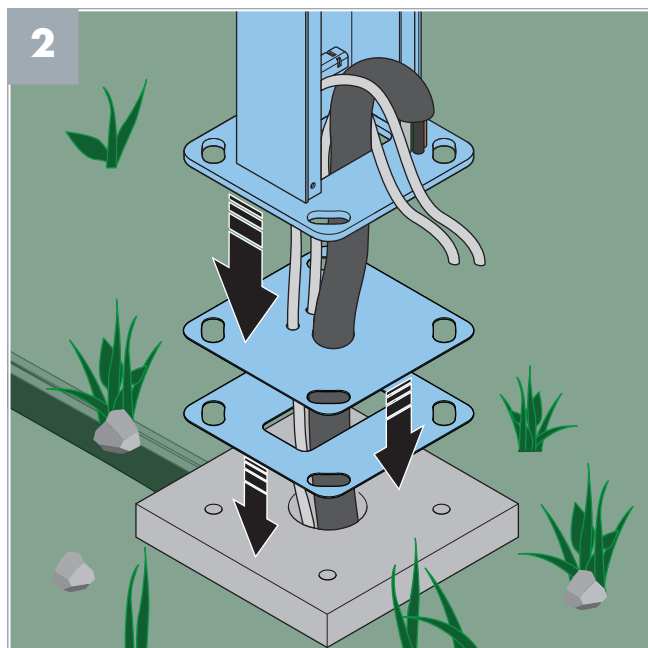
Before installation

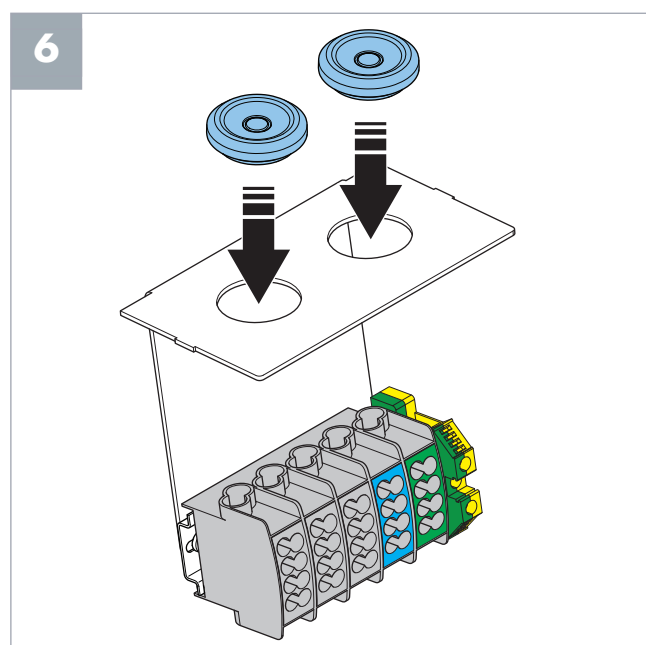
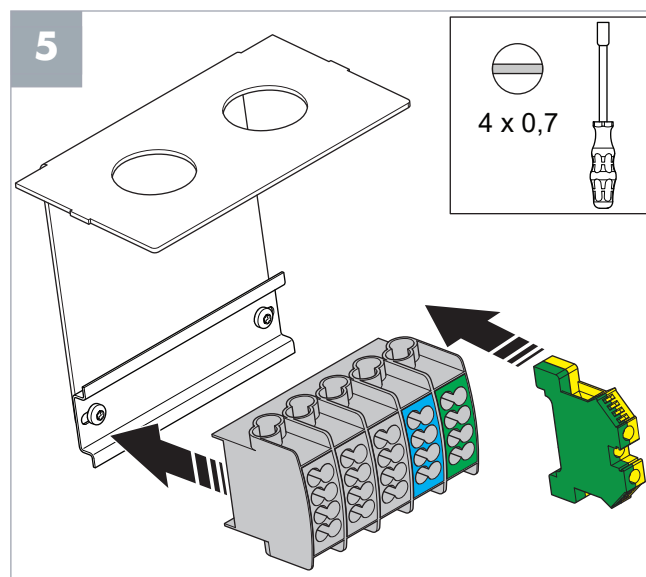
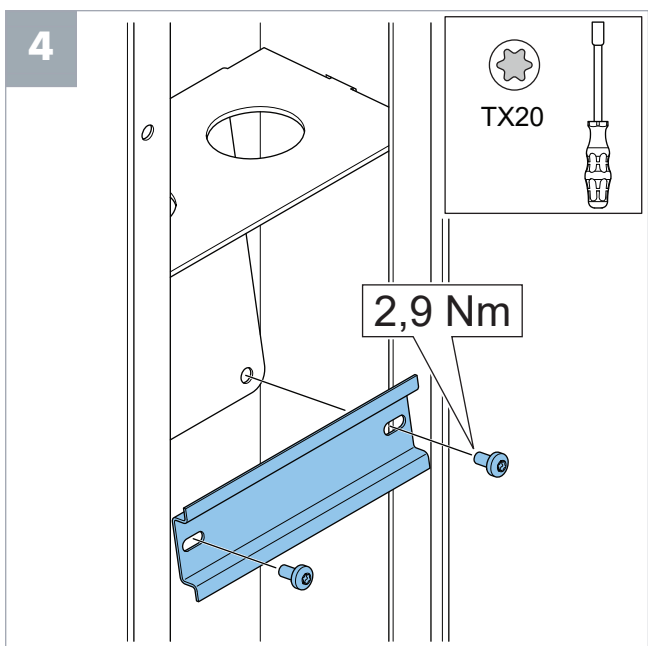
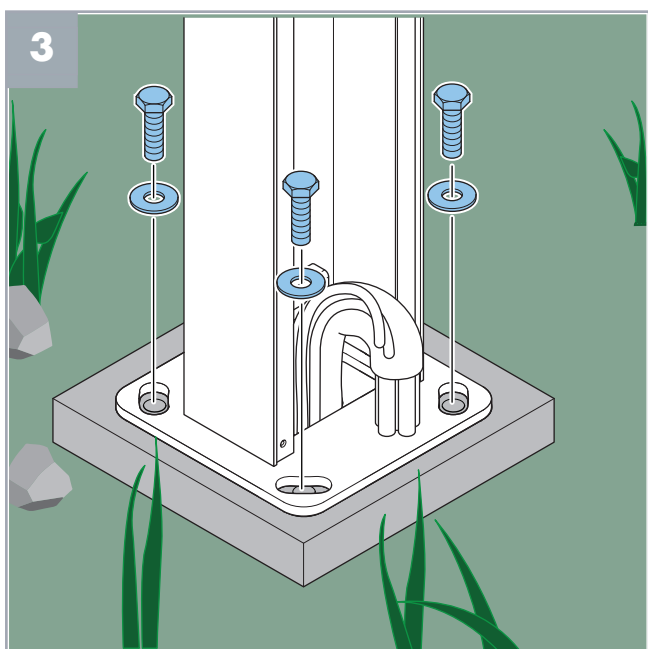


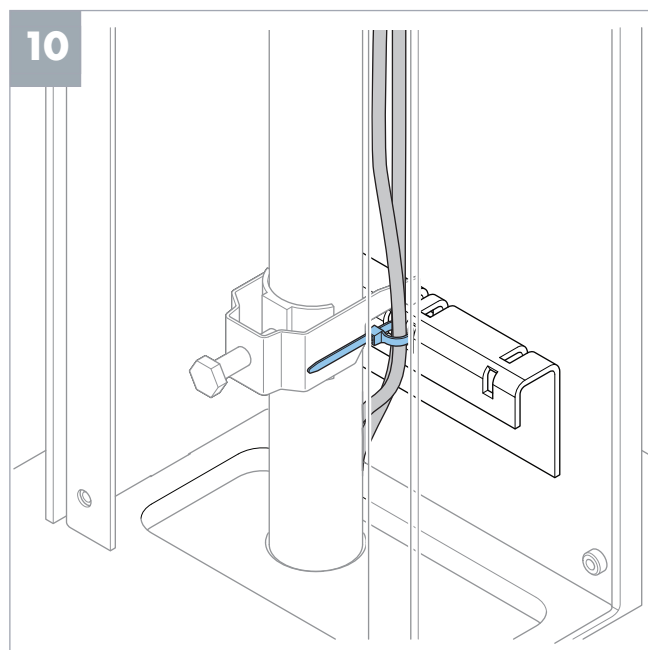
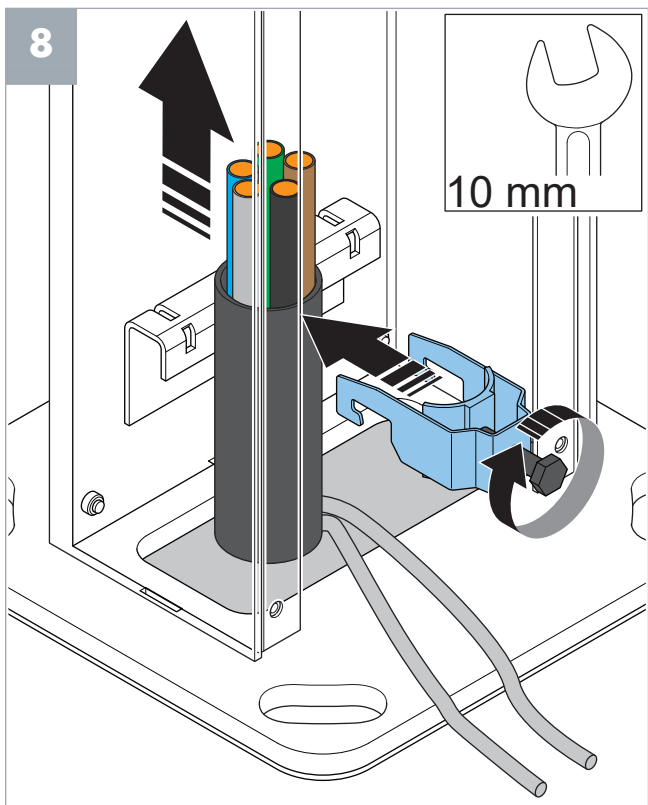
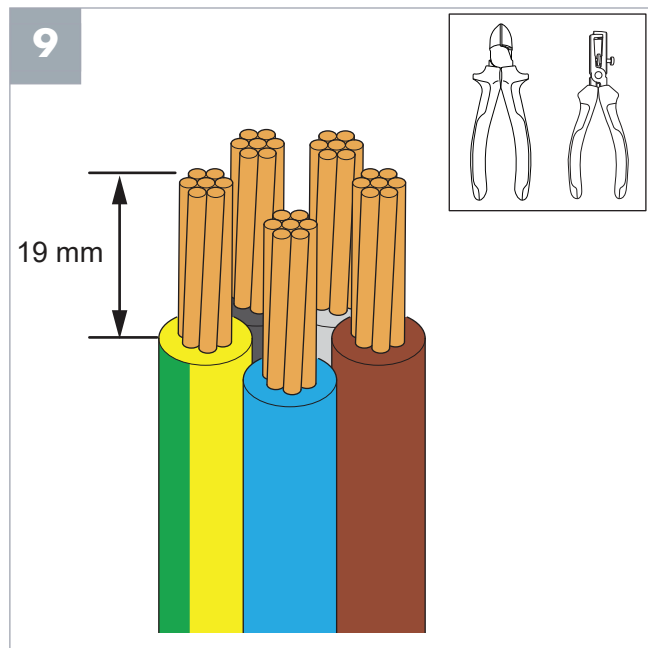
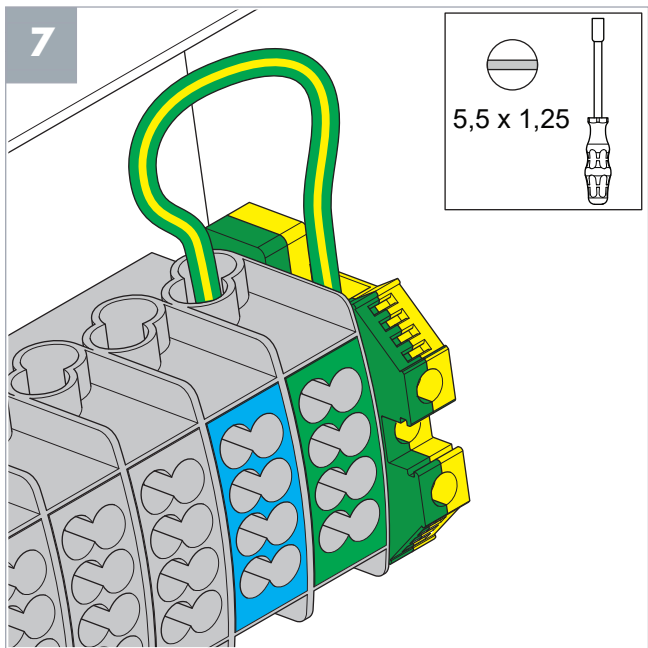
1. Installation



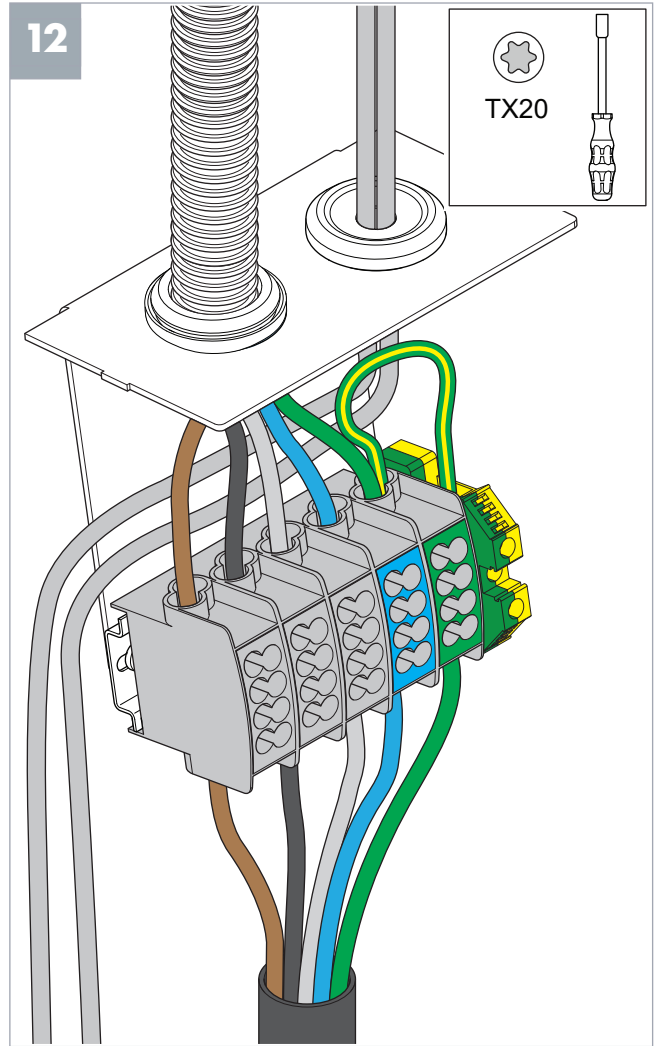
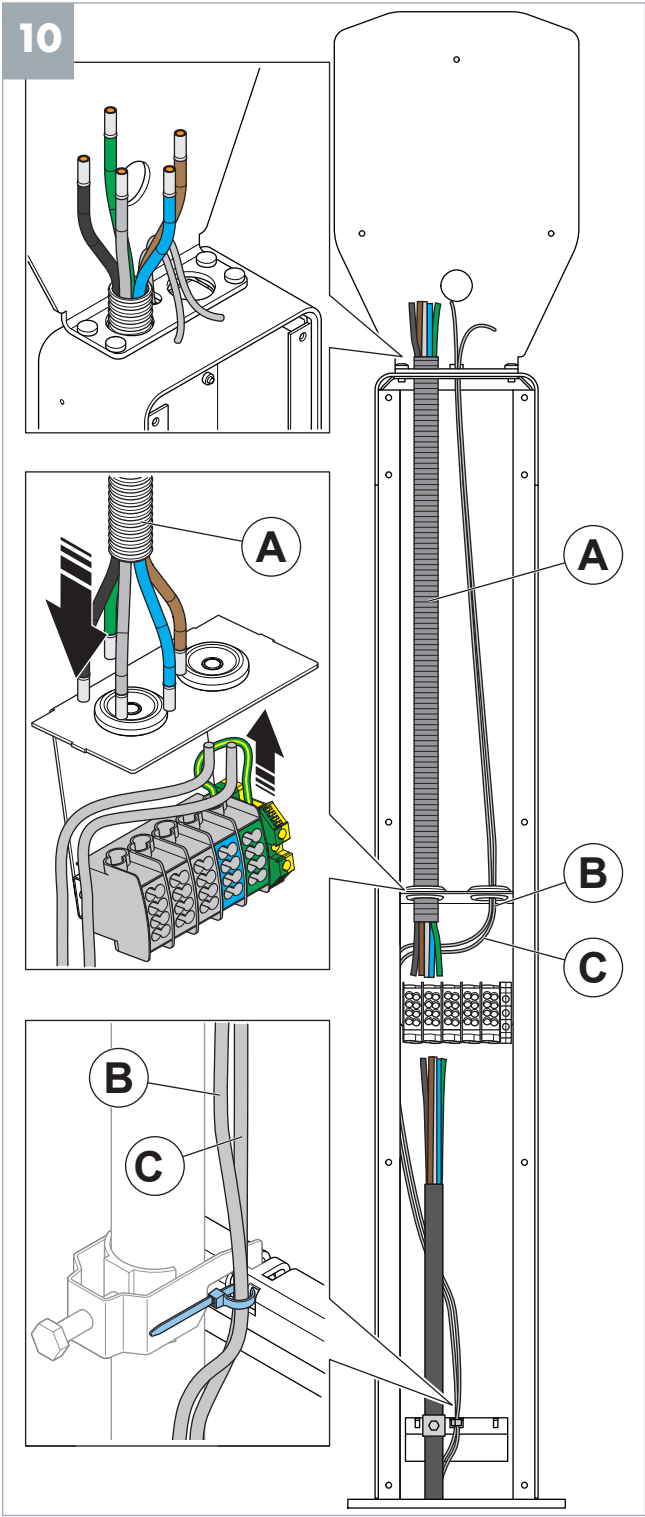
Note: A - Hole for the power cable. (Holes for an ethernet cable (C) and a control cable (B) are optional.)

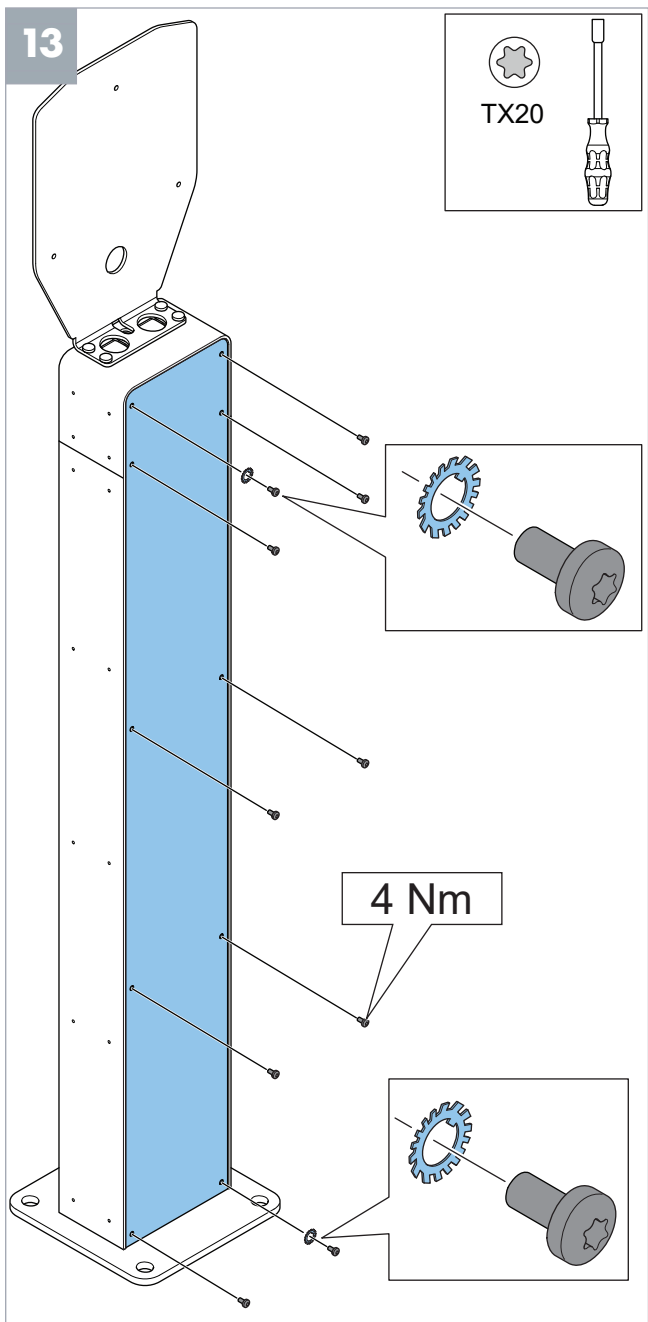






Note: Only if ethernet and control cables are used.







GARO E-Mobility AB

Box 203
335 33 Gnosjö, Sweden
Phone +46 370 332 00
info@garo.se
www.garo.se

GARO Finland Oy

Itälahdenkatu 18 a,
FI-00210 HELSINKI, Finland
Telephone: +358 20 752 9030
E-mail: myynti@garo.fi
www.garo.fi

GARO Electric Ireland Ltd

19/307 Northwest Business Park,
Blanchardstown, IE-DUBLIN 15, Ireland
Telephone: +35 31 882 00 30
E-mail: info@garo.ie
www.garo.ie

GARO AS

Sankt Hallvardsvei 3,
NO-3414 LIERSTRANDA, Norway
Telephone: +47 32 89 64 50
E-mail: garo@garo.no
www.garo.no,

GARO Polska Sp z.o.o.

Wislawy Szymborskiej 18,
PL-70-784 SZCZECIN, Poland
Telephone: +48 91 881 17 70 , +48
91 424 33 35
Email: info@garo.com.pl
www.garo.com.pl

GARO Electric Ltd

Sales & Customer Service
Unit 16 Urban Express Park
Aston Hall Road
Birmingham
B6 7FH

