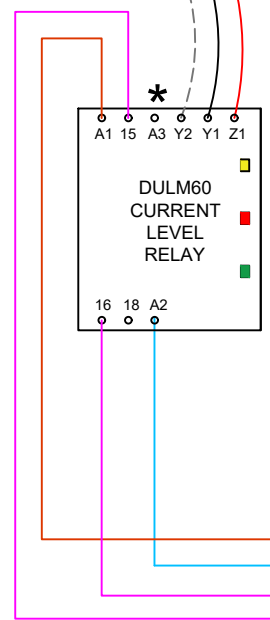


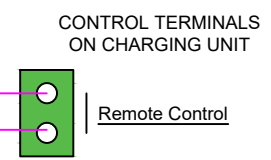
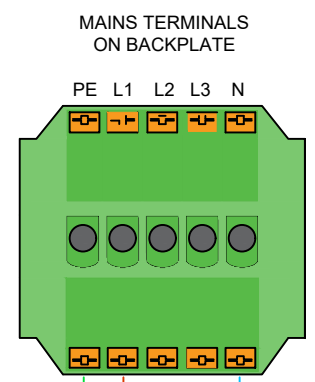
* Warning:
Do NOT use terminal A3.
For 115V supplies only.



Load management will disable charging under following load conditions.

1. when total load exceeds 60A for 30 seconds.
2. when total load exceeds 70A for 5 seconds.

Charging will recommence when total load is reduced to 25A for 30 seconds.



						=
						+
NO	DESCRIPTION	DATE	NAME	CHECK	APPD	

PROJECT
Wiring Guide for Entity 7.4kW
With LMKIT60

Unit 19 / 307
Northwest Business park
Ballycoolin
Dublin 15

DRAWING No. LMKIT60 Entity 7.4	SHEET -1
PROJECT No	